



GUBI



THE RONDE COLLECTION
Designed by Oliver Schick in 2013

Dear owner of a Ronde Pendant


Congratulation on your new original Ronde lamp!

With its simple yet lively expression The Ronde Pendant has all the qualities of becoming a future design classic and is sure to spark the interest of most design enthusiasts around the globe. Oliver Schick's modern take on the classic pendant is his first product for Gubi and we are proud to welcome Ronde into the family of the Gubi collection of timeless design and exclusive sense of aesthetics.

My aim is to design products with character that are timeless and easy to comprehend, says Schick, which seems a very fitting description of his unpretentious and frank Ronde Pendant. Often, only minor changes or unexpected details are needed to give a product a lively character, he adds, which sparks the associations and emotions of the user.

The Ronde Pendant clearly echoes this philosophy, with its understated yet effectual details. The bell-shaped piece has reference to the traditional pendant lamp and the heyday of 1970s lighting design; however, in a modern interpretation. The unique detail of the opening on the top with an overhanging collar, bring forth associations of a jar such as vase or amphora. The hand-turned aluminum lamp shade with an ultra-matt lacquer almost makes it look as if it was made of ceramics.

Please enjoy your new Gubi Design!



Jacob Gubi, CCO

On the other side of this leaflet you will find the instructions manual as well as advice for cleaning

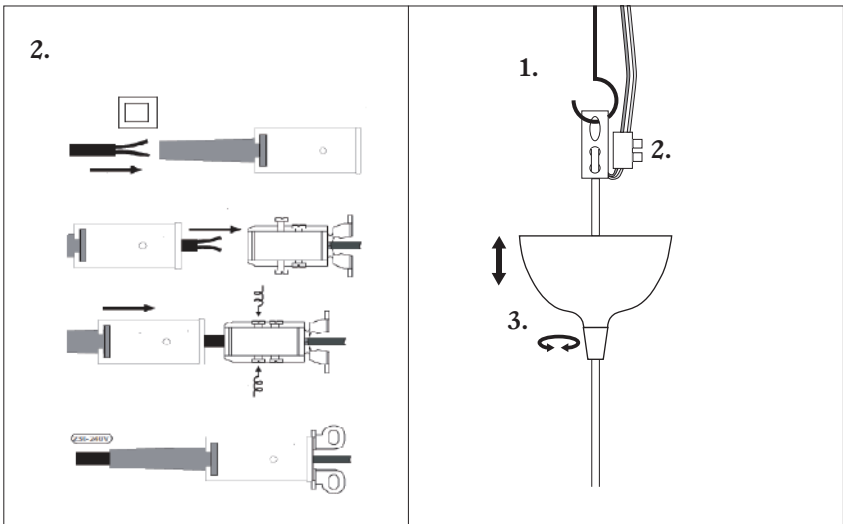


TECHNICAL INFORMATION (EU-MODEL):

Light source: E27 socket. Maximum 70W Halogen bulb.
230v/50 Hz

Turn power off when changing light bulb.
The lamp is not approved for outdoor use or use in damp/wet rooms.

ASSEMBLY INSTRUCTION:



1. Hang the lamp onto the hook on the ceiling (Note: hook is not included)
2. Connect the cable through the terminal block
3. Unscrew the cord grip to adjust the cable length

ADVICE FOR CLEANING:

Powder coated parts: wipe the parts with a damp cloth soaked in warm water and a bit of mild detergent.

Use only soft cloth for wiping and cleaning, never sponges or steel wool.

Do not use abrasive household cleaners.

Do not use acidic or alkaline cleaning materials, glass cleaner or household ammonia.

