

Designed by Oliver Schick

PRODUCT



Item no.: 006-011
 + style code:
 - 00: Pigeon Grey
 - 01: Charcoal Black
 - 02: Anthracite Grey
 - 03: Rusty Red
 - 05: Matt White

DESCRIPTION

The Ronde Pendant designed by Oliver Schick is made of spun aluminium with aluminium light fittings. The outer surface is powercoated in 5 different colors: Pigeon Grey, Charcoal Black, Anthracite, Rusty Red and Matt White. The inside is always powercoated laquered in white. The fabric wire and the canopy is always black except for the matt white, where both fabric wire and canopy is white. The pendant comes in 2 sizes Ø200 mm and Ø400 mm

VERSION - RONDE PENDANT

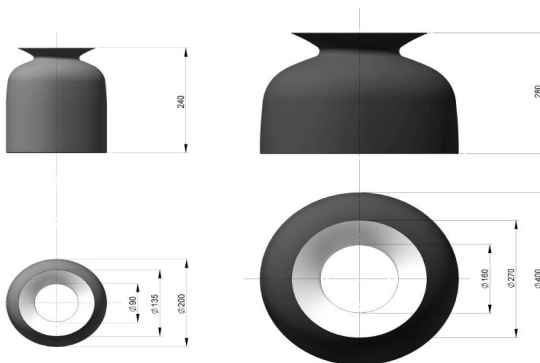
- Fabric wire and canopy - black:
 - Pigeon Grey / White inside // RAL 7000 (nearest) / RAL 9003 // Gloss grade 2 / Gloss grade 2
 - Charcoal Black / White inside // RAL 7011 (nearest) / RAL 9003 // Gloss grade 2 / Gloss grade 2
 - Rusty Red / White inside // RAL 3016 (nearest) / RAL 9003 // Gloss grade 2 / Gloss grade 2
 - Anthracite Grey / White inside // RAL 7016 (nearest) / RAL 9003 // Gloss grade 2 / Gloss grade 2
- Fabric wire and canopy - white:
 - Matt White / White inside // RAL 9003 / RAL 9003 // Gloss grade 2 / Gloss grade 2

VERSION - RONDE PENDANT

Order item - look for part number in the pricelist.

Series contains the following:

RONDE PENDANT Ø20
RONDE PENDANT Ø40



COLORS



// Pigeon Grey



// Charcoal Black



// Anthracite Grey



// Rusty Red



// Matt White

FACTS

MEASUREMENT - L x W x H mm

Lamp height: 240 mm
 Lamp bottom diameter: Ø200 mm
 Lamp top diameter: Ø135 mm
 Lamp middle diameter: Ø90 mm
 Cable length, exposed: APP. 5000 mm

WEIGHT ITEM - LAMP INCL. WIRE
 688 g

PACKAGING TYPE
 Cardboard box

PACKAGING MEASUREMENT - L x W x H cm
 L: 26,5 x W: 26,5 x H: 42,5 cm

WEIGHT PACKAGING - MATERIAL TYPE (recycleable)
 - Delivery note: 6 g
 - PS foam: 41 g
 - PE polybag: 19 g
 - Cardboard inside: 239 g
 - Cardboard outside, 5ply Corrugated: 570 g

WEIGHT TOTAL - INCL. PACKAGING
 1563 g

NUMBER OF PARCELS
 1 pcs.

Designed by Oliver Schick

ACCESSORIES

-

ENVIRONMENT

-

TESTS

-

CERTIFICATION AND LABELS

CE-CERTIFIED

SAFETY INSTRUCTIONS

If the cord or plug is damaged, unplug it from the socket with dry hands. Do not use the lamp until it is repaired by a qualified Electrician.

Bulb requirements*:

- Socket: E27 base
- Recommended light source - All fluorescens light bulbs:
 - Recommended wattage: 15 W
 - Max. wattage: 20 W
- Recommended light source - Halogen light bulbs:
 - Recommended wattage: 42 W
 - Max. wattage: 70 W

**Lightbulb not included*

**Euro voltage: 230 V*

**Frequency: 50 Hz*

**Supply voltage: AC power ~*

**Normally Closed: IP20*



Class II / Double insulated



CE-Mark



Luminaires accepted for mounting on a flammable base